

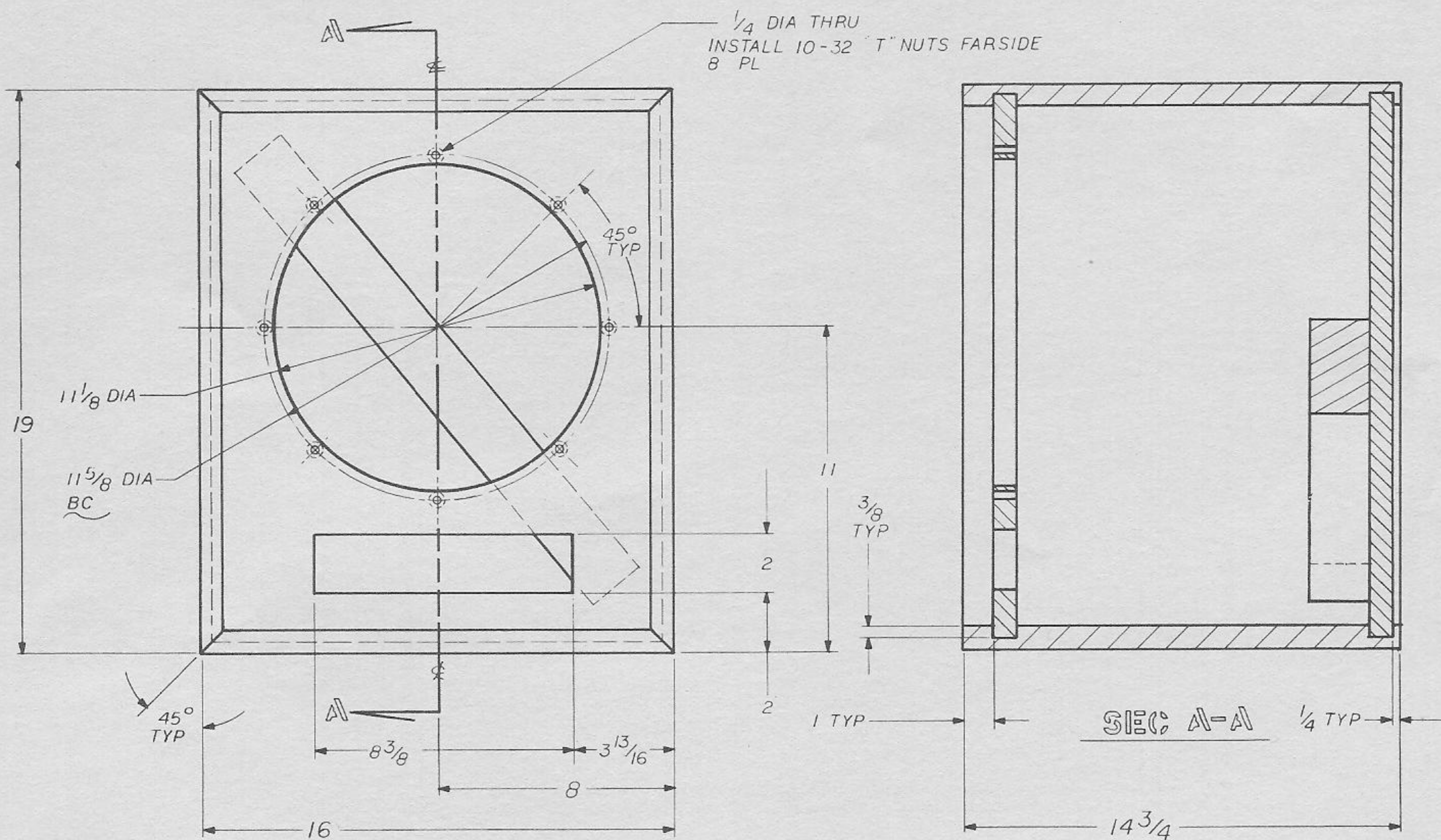
ALTEC LANSING APPLICATIONS NOTES

AN-12

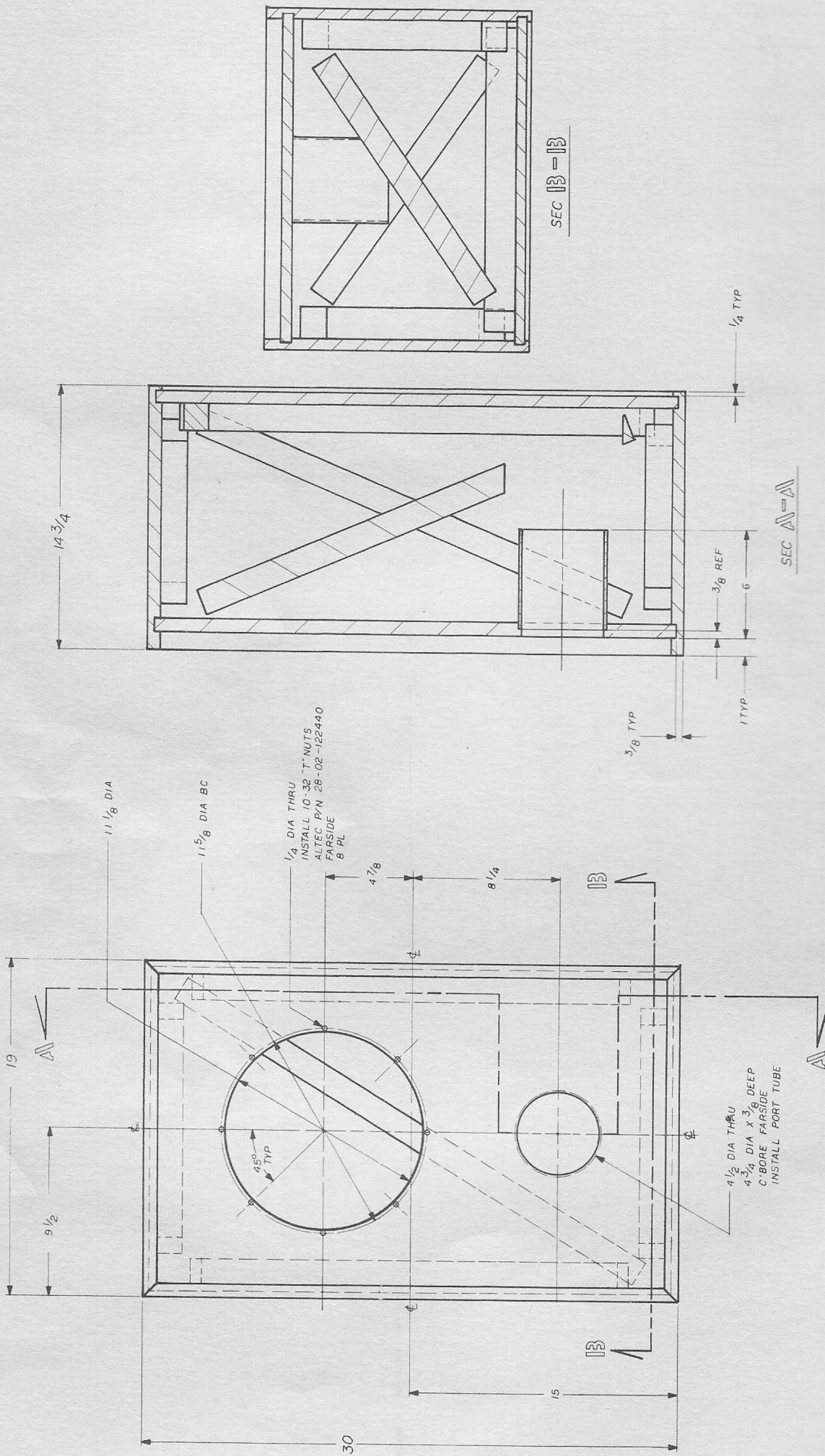
CONSTRUCTION PLANS FOR MORE LOW-FREQUENCY ENCLOSURES

This Applications Note presents drawings and plans for 8000-series bass reflex cabinets Altec Lansing introduced in 1982, which are optimally tuned for the 3000-series 12", 15", and 18" components woofers. The experienced loudspeaker cabinet builder may use these to construct his own similar cabinets, free-

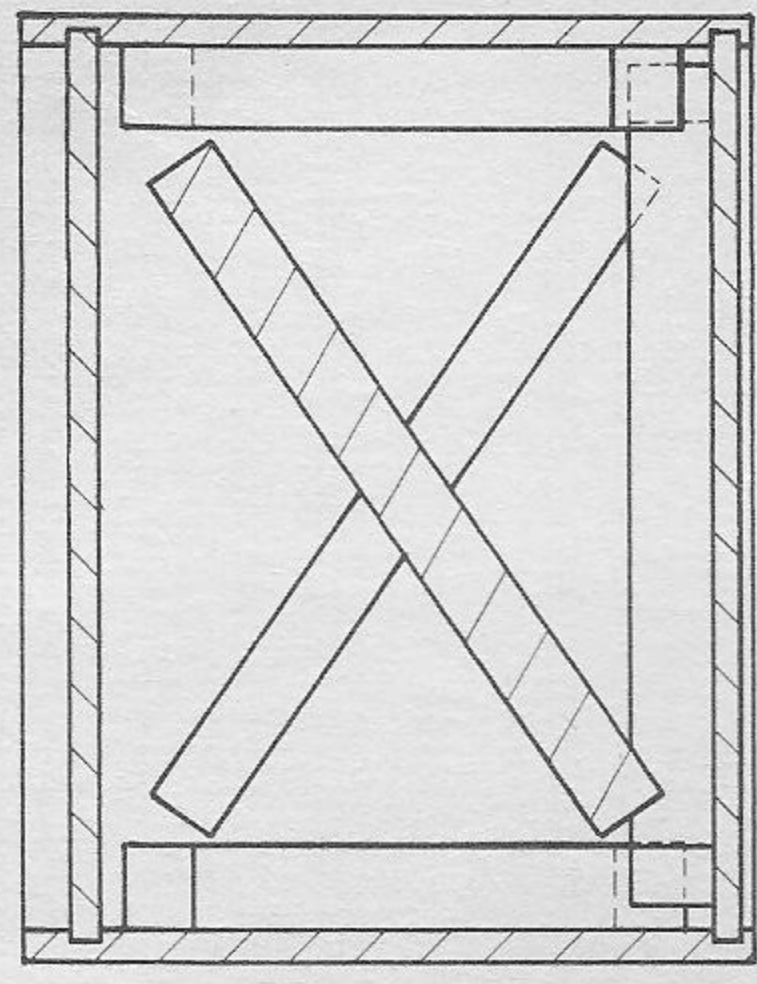
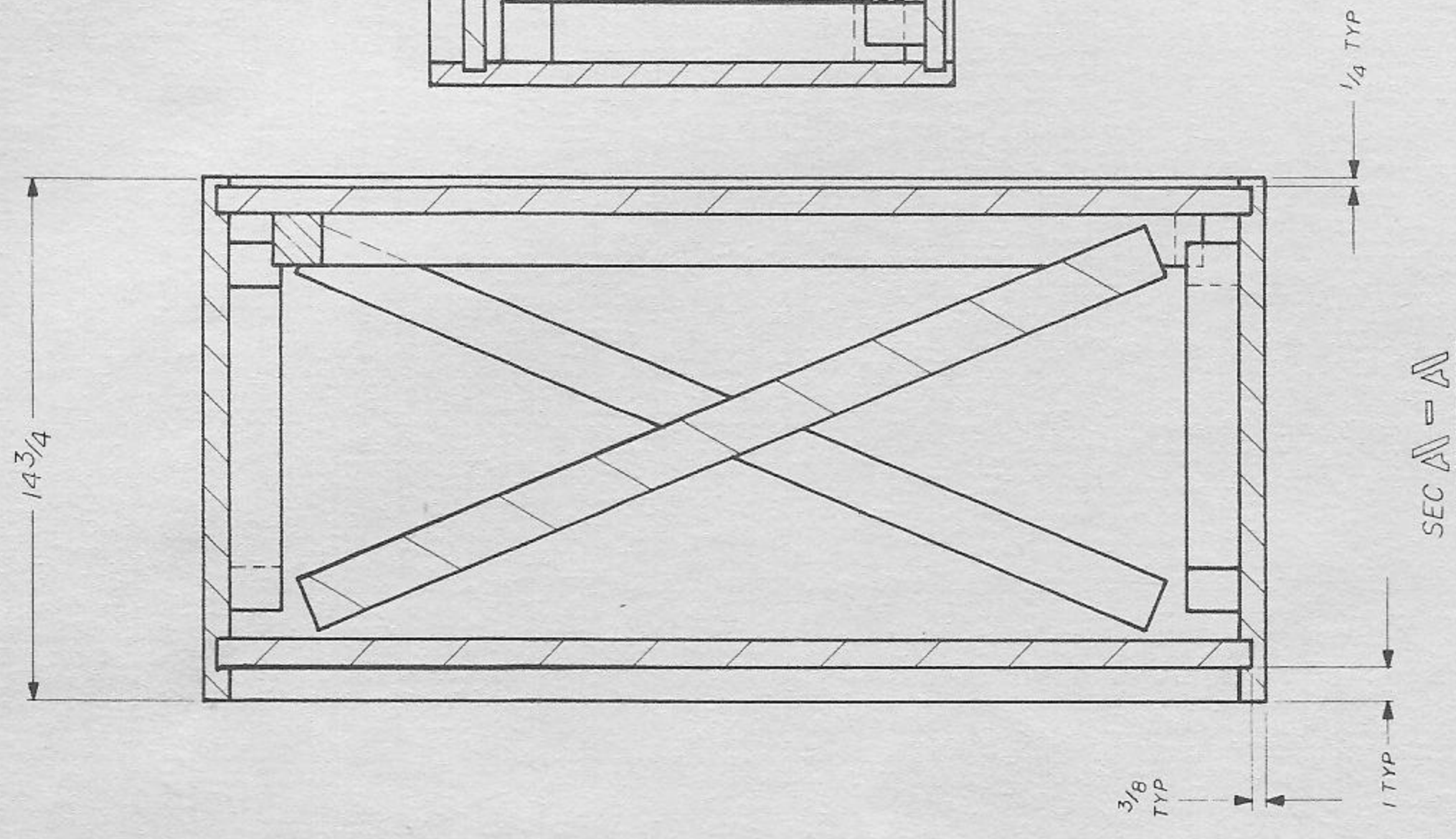
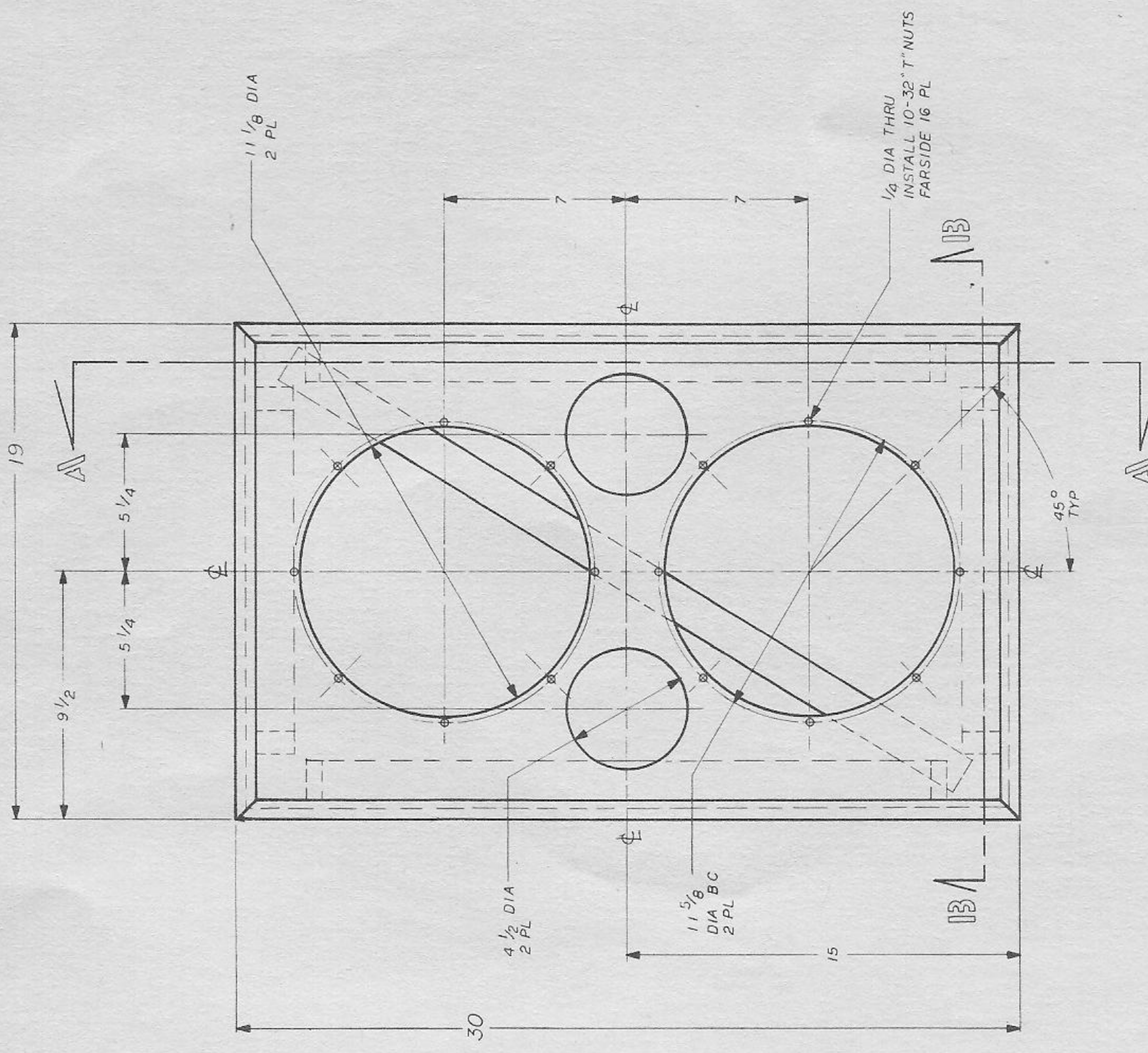
standing or built into an architectural structure. The cabinet is all $\frac{3}{4}$ " wood, except for the 2" x 2" square braces in all the cabinets and the 2" x 4" braces in the 8182 and 8184. The back, bottom, and one side should be lined with 1 $\frac{1}{2}$ " fiberglass blankets.



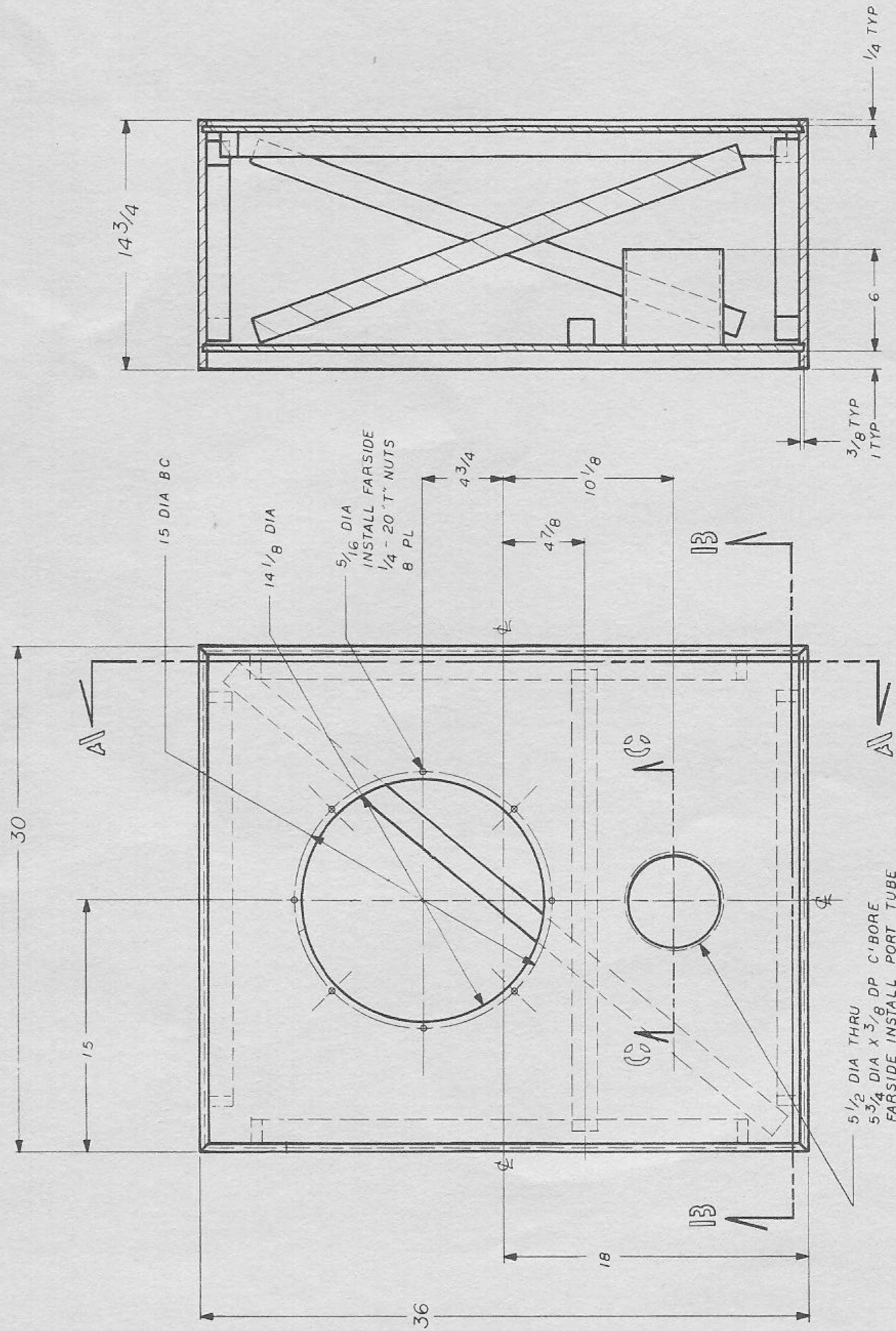
8127X CABINET FOR 3127 WOOFER



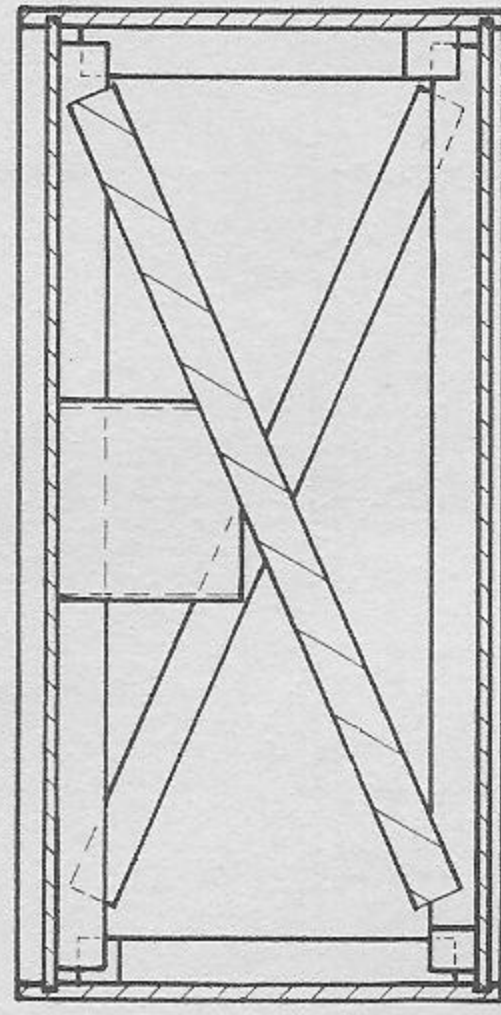
8124X CABINET FOR 3124 WOOFER



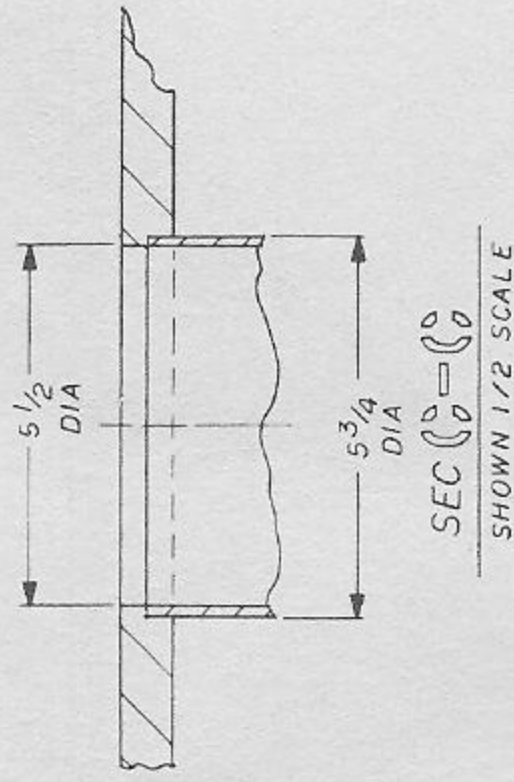
8227X CABINET FOR TWO 3127 WOOFERS



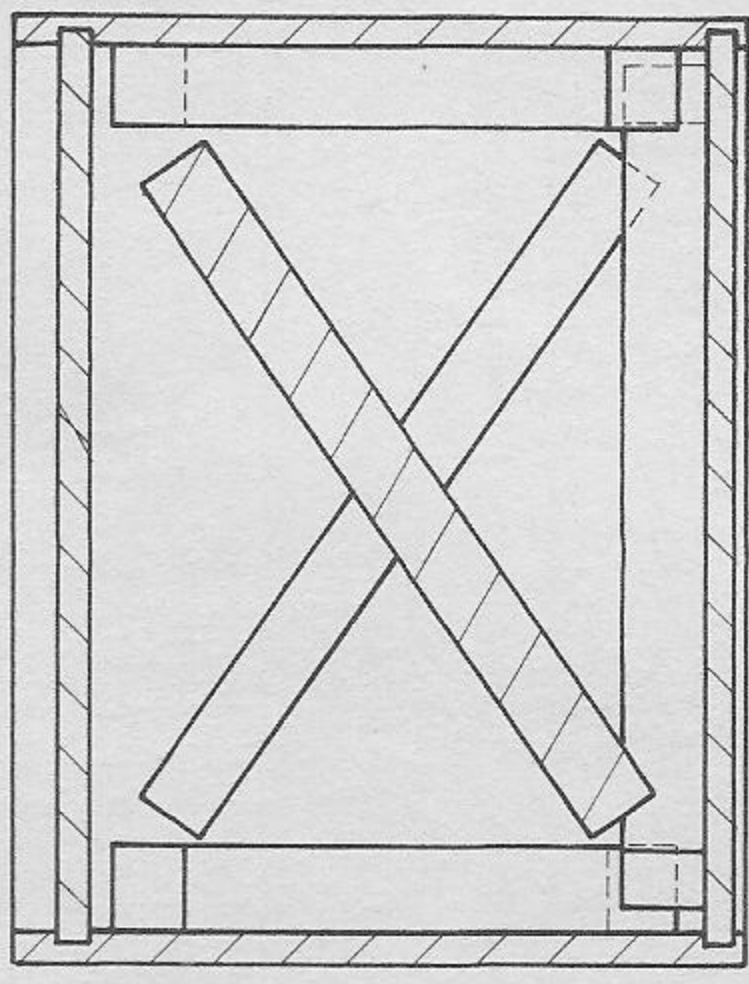
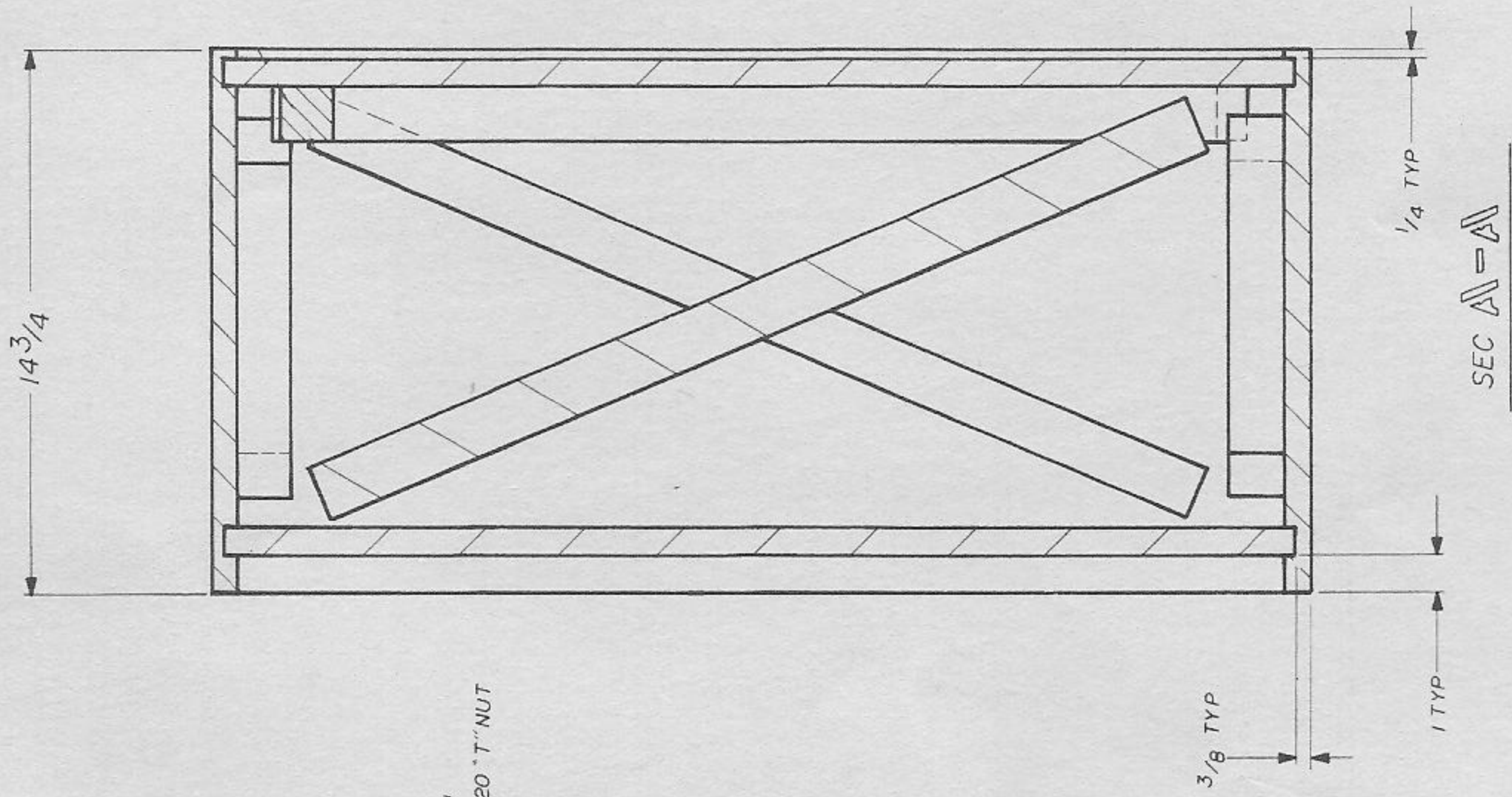
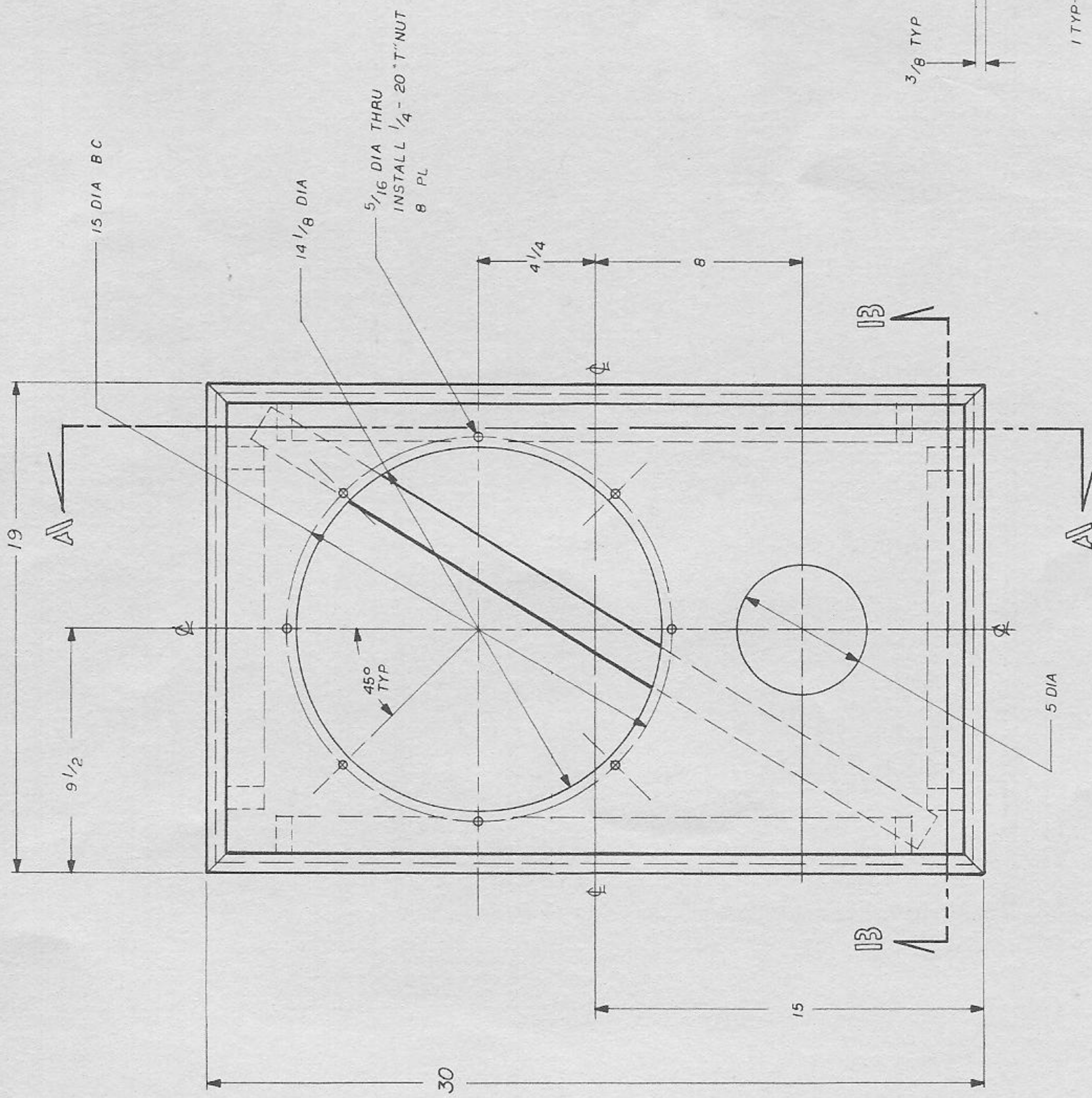
SEC A-A



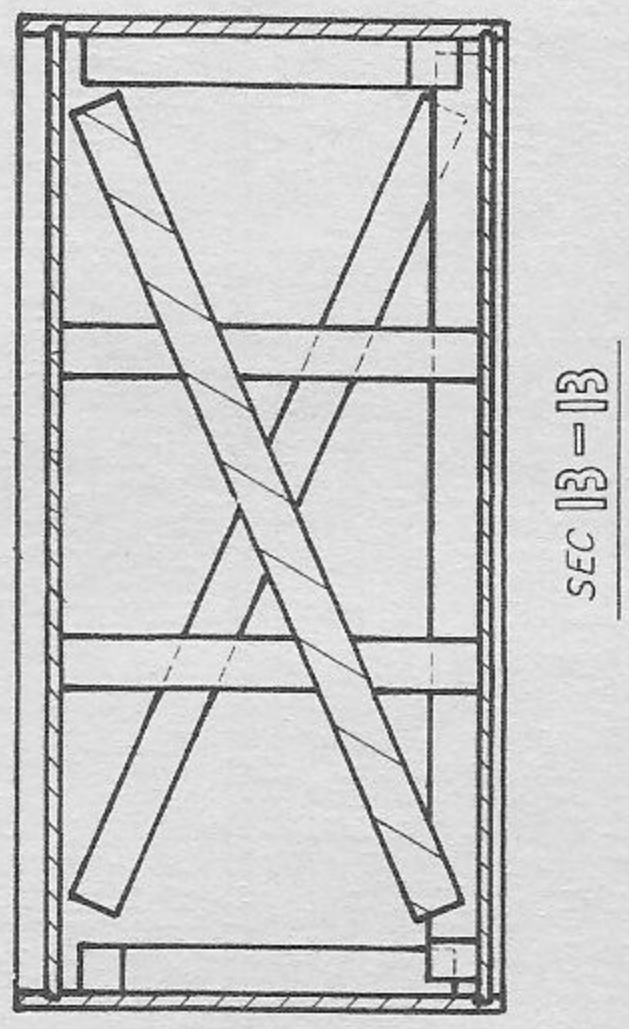
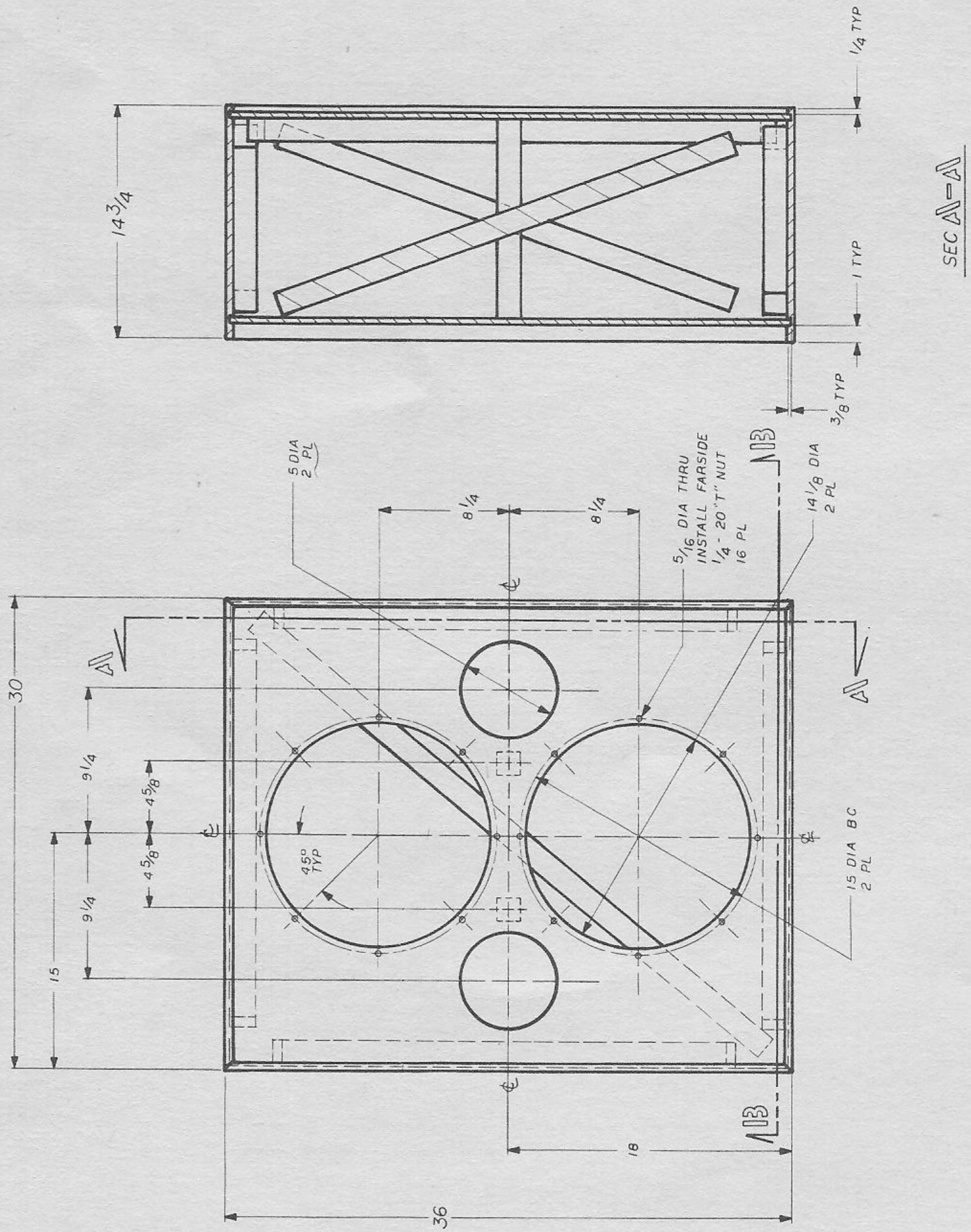
SEC B-B



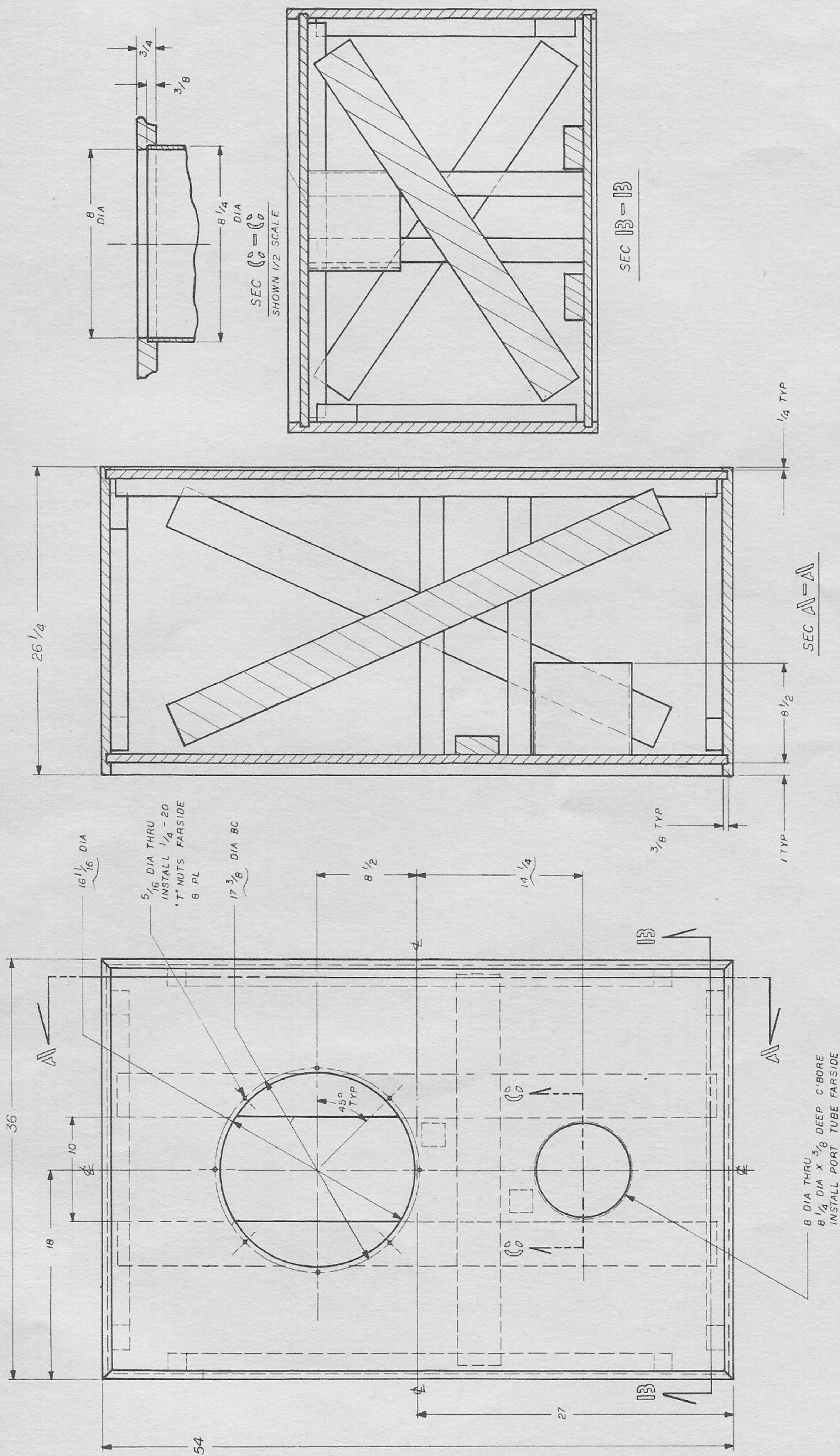
8154X CABINET FOR 3154 WOOFER



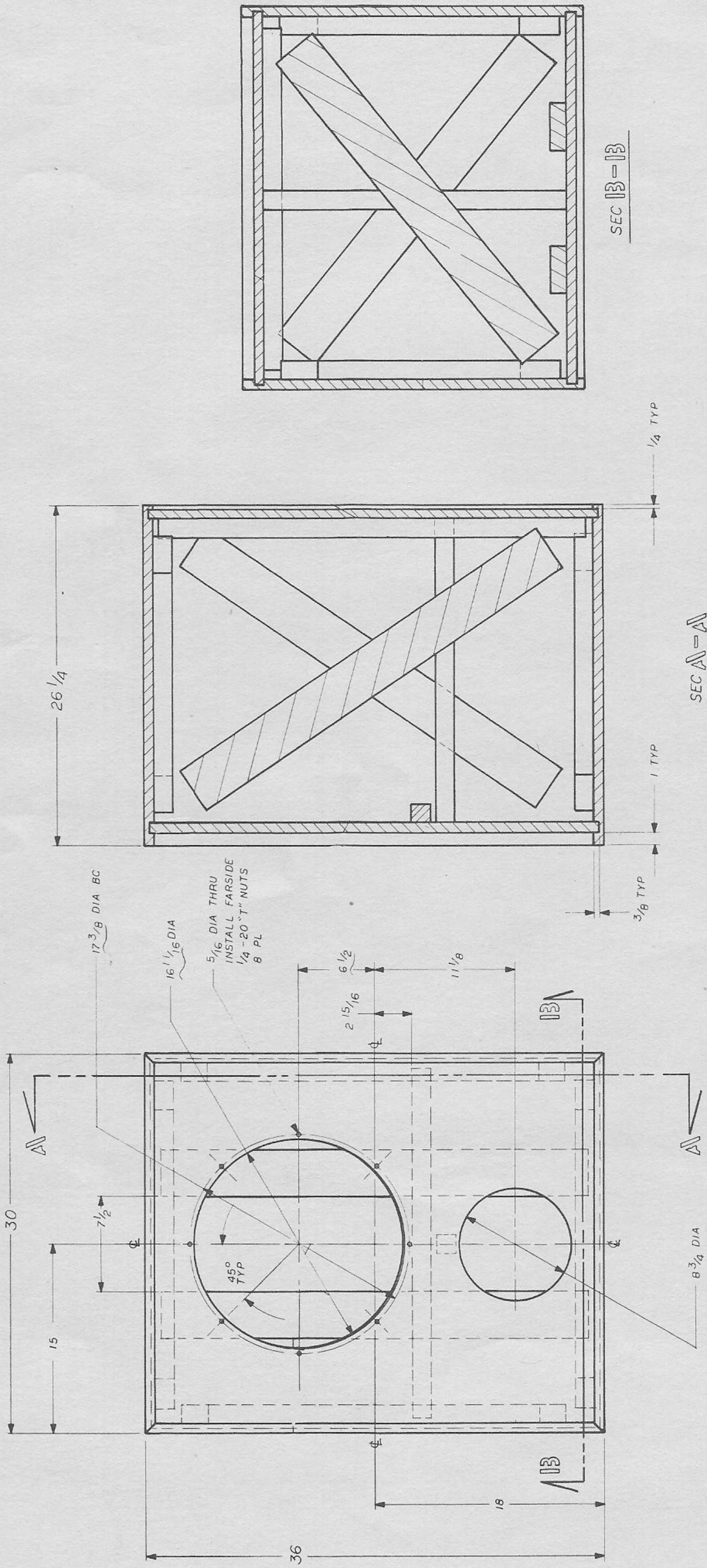
8156X CABINET FOR 3156 WOOFER



8256X CABINET FOR TWO 3156 WOOFERS



8182 CABINET FOR 3182 WOOFER



8184X CABINET FOR 3184 WOOFER