

KEY SYSTEM FEATURES

Vented Bass System

- High Efficiency Output.

High Output Capability

- Maximum Output: 133 dB SPL.

High Sensitivity

- 100 dB SPL.

Extensive Power Handling

- 2000 watts peak.

Multiple Arraying Configurations

- Flexible Trapezoidal Cabinet Design.

Safety Tested Flying System

- Exceeds 8:1 Safety Factor.

DESCRIPTION

The permanent installation of compact, "packaged" loudspeakers in architectural spaces has grown increasingly popular in recent years. Sound system designers sparked this popularity through their increased creation of high output, concert quality loudspeaker systems. These systems provide a level of quality desired by the performing arts and touring sound industries. The introduction of trapezoidal enclosures enable sound system designers to locate more loudspeakers in a smaller physical space, thereby increasing output and creating an effective "point source" cluster.

While most of these systems reproduce amplified music with the intensity and wide bandwidth suitable for concert quality reproduction, they typically lack the directivity to provide

highly intelligible, natural sounding speech with adequate gain-before-feedback. This compromise is completely unacceptable in a performing arts center or house of worship.

The Altec Lansing **DTS152A-F** extended low frequency system is designed to accentuate the low frequency performance of the DTS family of loudspeakers. The **DTS152A-F** provides a supportive low frequency output down to 38 Hz while allowing a full range DTS loudspeaker to be optimized for the mid and high frequency bands.

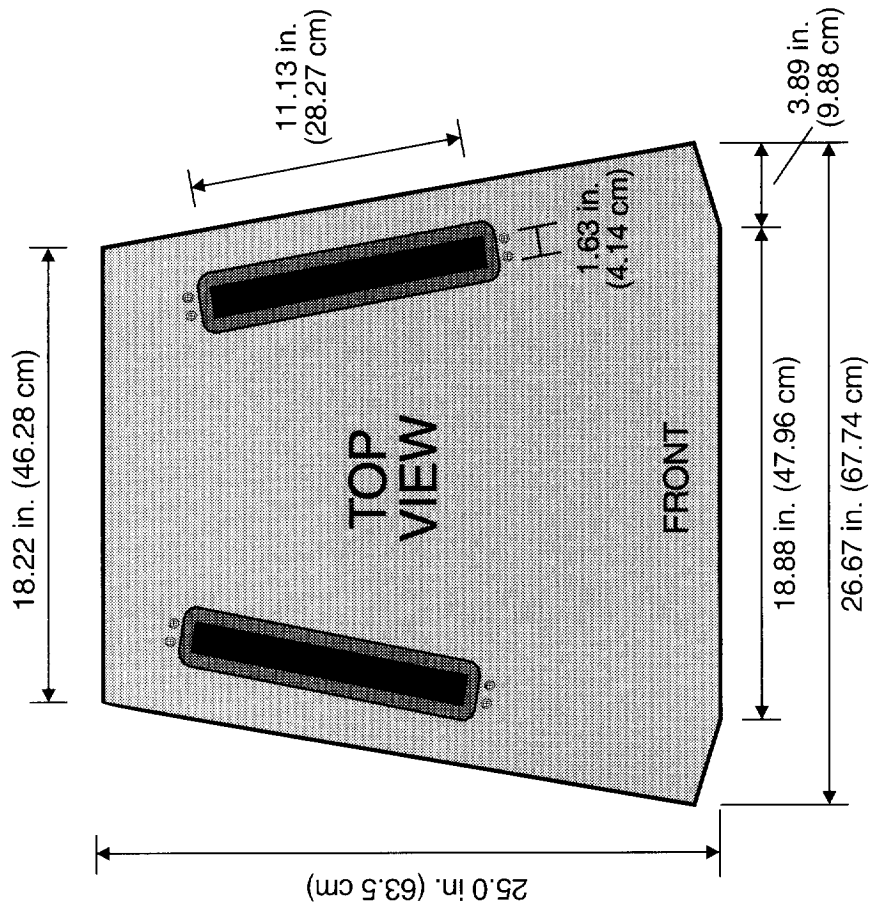
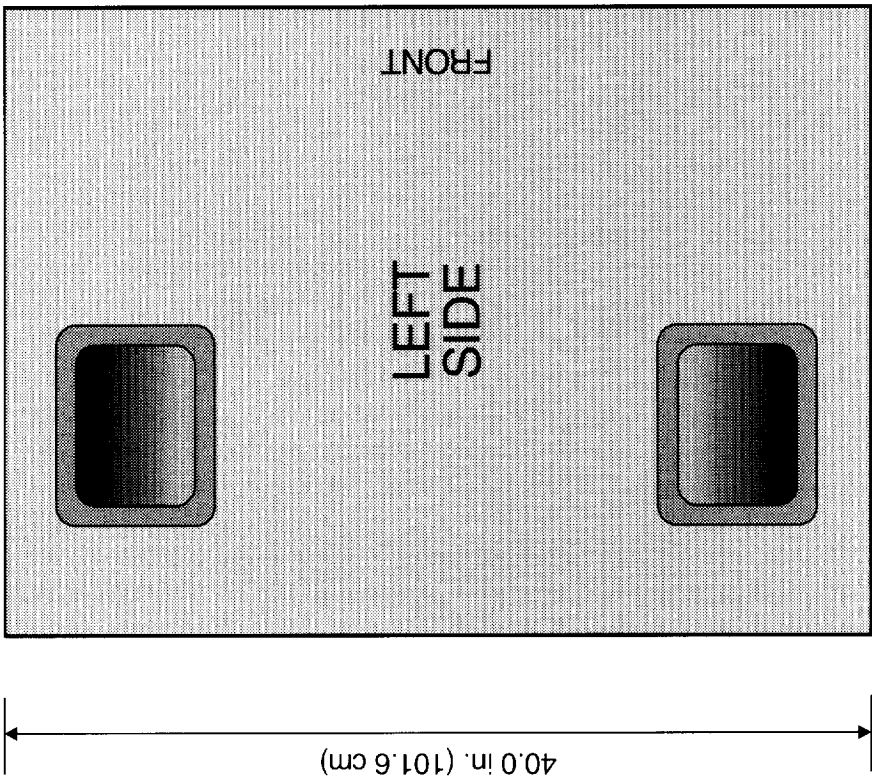
Complementing the **DTS152A-F**'s powerful performance is a trapezoidal cabinet which allows for flexible arraying. The integral L-track flying hardware facilitates quick, easy, and repeatable installations.

DTS152A-F SPECIFICATIONS (unprocessed)

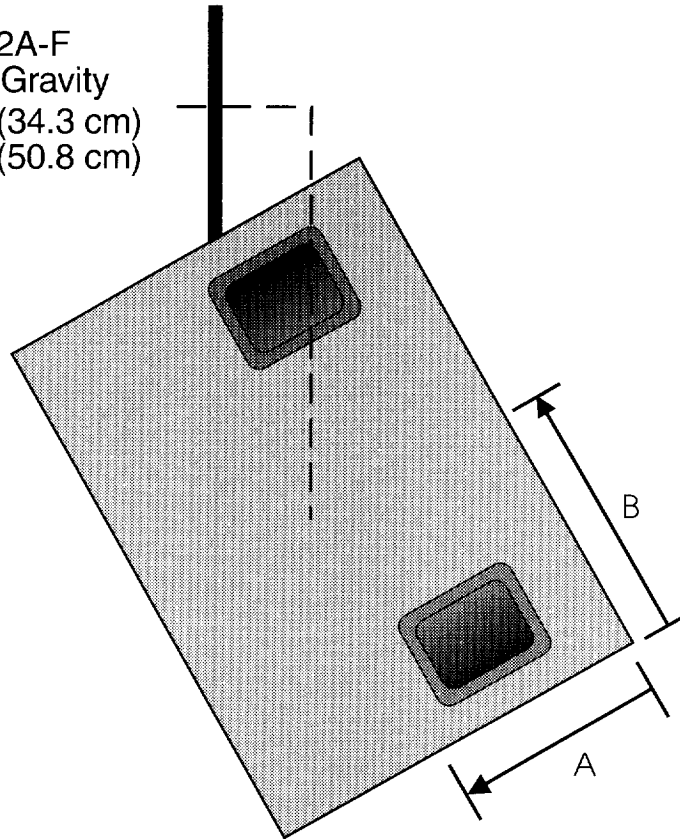
System Type:	Vented bass type, two-way low frequency loudspeaker system.
Pressure Sensitivity:	(see note 1) 100 dB SPL (1 watt, 45 Hz to 500 Hz, re: 20 μ Pa).
Frequency Response:	(see note 2) Usable: 38 Hz - 500 Hz.
Power Handling:	(see note 3) (45 Hz to 500 Hz): 2000 watts, peak power. 1000 watts, continuous program. 500 watts, AES method.
Maximum Output:	(see note 4) 133 dB SPL, peak power. 130 dB SPL, continuous program. 127 dB SPL, AES method.
Crossover Frequency:	125 Hz to 200 Hz.
Impedance:	L.F.: 8.0 ohms minimum (per driver). Paralleled: 4.0 ohms nominal (system).
Components:	Two 16 inch, low frequency loudspeakers.
Input Terminals:	Large screw terminals, Speakon™ connector.
Flying System:	L-track accepts Aeroquip 32102 fittings.
Accessory Hardware:	Grid Strap Part # GS-1A, 10" Linkstrap Part # LS-1A, 12" Linkstrap Part # LS-2A.
Suspension Data:	To insure a proper safety factor, Altec Lansing recommends the units not be stacked over four (4) high.
Recone Kit:	R3156.
Replacement Grille:	Model RG039208.
Enclosure:	Vented bass type, built of 14-ply birch plywood with appropriate bracing. Lined with glass wool.
Finish:	Black texture paint with black metal grille.
Dimensions:	Height: 40.0 inches (101.6 centimeters). Width: 26.67 inches (67.74 centimeters). Depth: 25.0 inches (63.5 centimeters).
Weight:	Net: 178.0 pounds (80.74 kilograms). Shipping: 200.0 pounds (90.72 kilograms).

MEASUREMENT NOTES

1. Pink noise signal, one Watt calculated using E^2/Z_{min} , 3.16 meter-measurement distance referred to one meter.
2. On-axis, one Watt calculated using E^2/Z_{min} , 3.16 meter-measurement distance referred to one meter, low frequencies corrected for anechoic chamber error.
3. This system rating patterned after the AES method for individual driver, where the test signal is pink noise with a 6 dB crest factor over the bandwidth of the system, with power calculated using the E^2/Z_{min} , for two hours.
4. This measurement made under the same conditions as Pressure Sensitivity, but at rated power, and takes into account any power compression effects due to non-linearities in the system.



DTS152A-F
Center of Gravity
A: 13.5 inches (34.3 cm)
B: 20.0 inches (50.8 cm)



ARCHITECT'S AND ENGINEER'S SPECIFICATIONS

The loudspeaker system shall be of the vented bass type consisting of two 16 inch (40.6 cm) high power low frequency loudspeakers. The loudspeaker system shall meet the following performance criteria: AES power handling, 500 watts of pink noise with 6 dB crest factor, band limited from 45 Hz - 500 Hz. Frequency response, smooth and uniformly usable from 38 Hz - 500 Hz. Pressure sensitivity, 100 dB SPL from 45 Hz - 500 Hz, one watt at one meter on axis. Impedance, 8.0 ohms per driver or 4.0 ohms paralleled. The enclosure shall be trapezoidal and constructed of 14-ply birch plywood. The cabi-

net shall be heavily braced and lined with sound absorbent glass wool. The enclosure shall be fitted with two sets of Aeroquip #34030-3 L-track suspension hardware which will allow the unit to be suspended from either end. The finish of the enclosure shall be a black texture paint with a black metal grille. The dimensions of the enclosure shall be 40.0 inches (101.6 cm) high by 26.67 inches (67.74 cm) wide by 25.0 inches (63.5 cm) deep. The loudspeaker system shall weigh 178.0 lbs (80.74 kg).

The loudspeaker system shall be the Altec Lansing DTS152A-F.



a MARK IV company

P.O. BOX 26105 • OKLAHOMA CITY, OK 73126-0105 • U.S.A.

Phone: 405/324-5311 or FAX: 405/324-8981

© 1994 ALTEC LANSING CORPORATION